

# JETPAN

Jetpan – the speed gate with high glass retractable flaps and a reliable mechanism with a brushless motor. The combination of high glass flaps along with safety sensors prevents climbing over the turnstile and perfectly suits for creation of protected areas.

User-friendly interface, high-quality materials, safety sensors, anti-tailgate detection, compatibility with any access control system, possibility of various biometric devices integration, unlimited number of lane configurations and high glass flaps - a perfect balance of style, performance and security.



*HIGHER WINGS FOR HIGHER LEVEL OF PROTECTION*

*IDEAL SOLUTION FOR ANY DEMANDING SITE*



## Key features:

- BMDrive® - a reliable mechanism with a powerful BLDC gear motor ensures long-term, maintenance-free operation.
- Low power consumption.
- An innovative controller with an OLED display and buttons allows for easy setup and configuration without the need for special programmers.
- Digital control of force and leaf speed, combined with safety sensors, prevents accidents and ensures the safety of individuals, even in cases of unauthorized passage.
- The sensor system enables the detection of individuals with luggage or allows for a free exit without the need for identification.
- Elegant cabinets come equipped with integrated LED lighting that displays the access status and card reader area.
- The housing design and top lid can be customized to meet specific preferences.
- Can be seamlessly integrated with any type of access control system.
- A wired remote control panel is included as part of the standard kit.
- The speed gate is equipped with a smart self-diagnostic system.
- In the event of a power failure, the leaves can be manually opened (fail-safe).



# TECHNICAL SPECIFICATIONS /

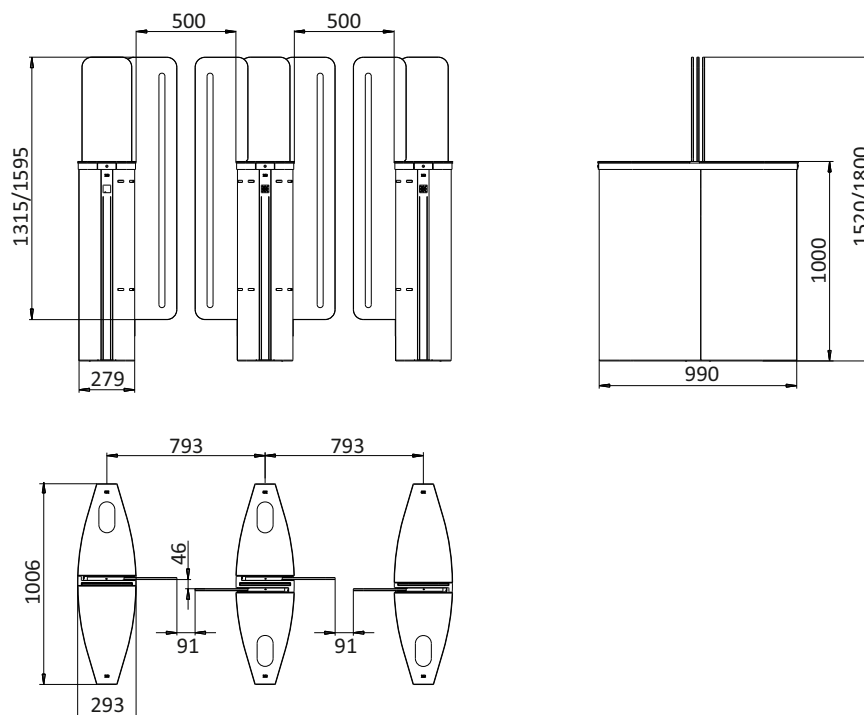
Model	Jetpan 500
Cabinet width, mm	239
Cabinet length, mm	1006
Cabinet height, mm	1000
Leaves height, mm	1520/1800
Passage width, mm	500
Opening/closing time, sec	0,7
Mechanism	BMDrive® servodrive (BLDC)
Blocking system	DeadLock®
Emergency mode (fire-alarm)	Free entry/exit (leaves are opened automatically)
Power fail	Fail safe (gates could be opened manually — standard)
MCBF, cycles	10 000 000

## Electrical Specifications:

Maximum power consumption, W	160
Voltage	From the AC (100-240)V, 50/60Hz; from a DC source 12 V
Indication	DotLights®, RFIDLights®, LeafLights®

## Finishing

Standard housing	Brushed SS AISI 304
Available housing	Brushed SS AISI 316; Polished SS AISI 304; Polished SS AISI 316; Powder coated RAL



Dimensions for solid glass top lid

Specifications are subject to change without prior notice



[www.tiso.global](http://www.tiso.global)



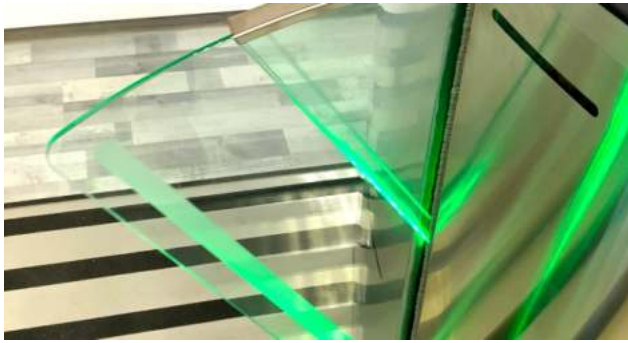
+380 (44) 291-21-11



[sales@tiso.global](mailto:sales@tiso.global)



# STANDARD FEATURES



## LEAFLIGHT®

Impressive illumination of the leaves can be in three colors (standard), marking the status of passage: blue - standby mode; green - access authorized; red - access denied.



## CONTROL PANEL

The wired control panel goes in a standard set. Allows to implement a single passage, a free passage, as well as blocks an access and activates the anti-panic function.



## SAFETY SENSORS, ANTI-TAILGATING FUNCTION

High-precision sensors that identify the unauthorized passage of two or more people (antitailgating function). At the same time safety sensors guarantee safe passage for people with luggage or trolleys - the gates won't close until the person finishes the passage.



## UPS FUNCTION

A complex UPS system that automatically switches power to work from the back-up battery. This allows you to use all the functions of the speed gate in case of power fail.



## LED INDICATIONS

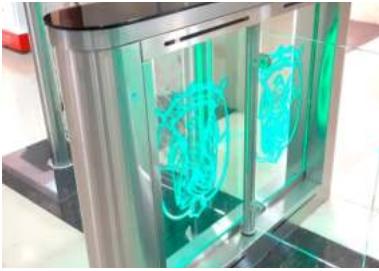
Bright and attention-grabbing RFIDLight® (LED light of card reader area) and DotLight® (LED lighting display showing access status).



## PLACE FOR RFID INSTALLATION

Place for RFID installation is provided in the standard configuration of the speedgate.

# ADDITIONAL OPTIONS /



## PATTERN APPLICATION

Unique signatures, customized patterns, logos and others can be placed on the leaves, housing or top lid of speed gates.



## MP3 AUDIO MODULE

Audio signals for unauthorised access / authorised access / closing / opening / alarm.



## KEYFOBS FOR RADIO REMOTE CONTROLLER

Minimalistic keyfobs for opening and blocking the passage.



## INTEGRATION OF CUSTOMIZED ACS

Any access control systems upon request (e.g. RFID device, coin acceptor push button, fingerprint, face recognition, barcode and QRcode reader).



## TWIC WIRELESS CONTROL PANEL

TiSO TWIC were developed for the remote control of multiple lines of turnstiles. The space saving 10" touch screen display can be located at a reception desk or within security control areas.



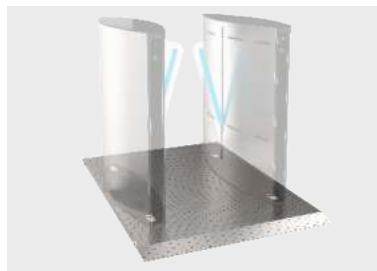
## SUPER CAPASITOR

Maintenance of a free power package for emergency automatical one time opening of the speed gate.



## FOOTPRINT ILLUMINATION

LED illumination of the footprint of the speed gate housing. The color of the light may vary depending on your request.



## MOBILE PLATFORM

Ensures quick temporary speed gate installation. As well as can be installed in areas where it is impossible to drill the floor.



## EXIT BUTTON

A convenient option that allows you to organize an exit by using a touch free button.

# ADDITIONAL OPTIONS /

RANDOMIZER  
RANDOMIZER  
RANDOMIZER

## RANDOMIZER

This mechanism automatically randomly selects a person for verification, without the influence of the human factor.



## CARD COLLECTOR INTEGRATION

Possible to integrate the automatic card collector into the speed gate housing.



## RFID READERS T-PROX MINI

Reader operates with 125 kHz cards, Mifare, Mifare Plus and mobile credentials U-Prox ID over NFC and over 2.4 GHz radio.



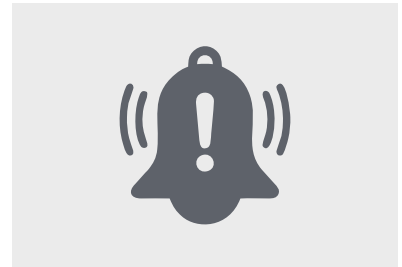
## JUMPING OVER TOP LEAD ALARM

Weight sensors detect over 10 kg impact on the top lid and activate alarm.



## COUNTER OF PASSAGES

Automatic counting of the number of passes.



## ALARM BUZZER

Sound alarm during unauthorised access.