



# **SPEED GATES WITH INTEGRATED SYSTEMS TO DETECT SYMPTOMS OF VIRUS**

TiSO company offers special solution for authorizing access depending on persons state of health. More specifically, such system enables to limit access of people with suspected disease symptoms such as high temperature.

TiSO speed gates with special integrated authorization system performs face identification and monitors body temperature.

Such solution can be widely used in public places like hospitals, airports, border control zones, etc.





ENTRY IS ALLOWED



ENTRY IS FORBIDDEN  
(abnormal temperature, no mask wearing etc.)

## HIGH-PRECISION INFRARED TEMPERATURE DETECTION SENSORS

Fast contactless automatic detection of body temperature.

Range 35°C-42°C ( $\pm 0.3$ ).

Distance 0.2 - 0.7 m.

Live temperature on display monitoring.

## DYNAMIC FACE RECOGNITION

Fast face identification less than 0.2s.

Unique face recognition algorithm to accurately recognize face with a mask.

Memory: 3000 faces and 1 000 000 logs.

## 5" DISPLAY + TOUCH SCREEN

Capacitive touch screen for easy configuration at standalone mode.

Bright TFT display with live face, name, temperature monitoring.

## ATTENDANCE FUNCTION

Support network connection LAN/WiFi with free software and USB flash drive detailed temperature detection record and attendance reports for standalone mode.

## COMMUNICATION METHOD

Ethernet TCP/IP, WiFi, USB, Wiegant.

## FEATURES:

- Contactless temperature control – allows to control access of people with abnormal temperature.
- Equipped with audio module (siren) – in case of detection of person with abnormal temperature.
- Face recognition of a person with mask on face.
- Alarm in case of mask absence on face.
- Readymade solution that does not require special provision for installation and can be mounted in any place using universal mounting plate.
- Free software – work hour counter + monitors a body temperature of employee.
- Materials: SS 304 (optionally SS 316) IP54 protection for easy disinfection.

## ADVANTAGES



FACE AND MASK  
RECOGNITION



MASK WEARING  
REMINDING



NON CONTACT,  
SAFE FROM INFECTION



50K FACE  
DATABASE



IR TEMPERATURE  
DETECTION



TEMPERATURE RANGE:  
35°C - 42°C  
ACCURACY 0.3°C



ALARM FOR  
ABNORMAL  
TEMPERATURE



APPLIXABLE TO  
MULTIPLE  
SCENARIOS

## TECHNICAL SPECIFICATION

### TF-R19T Temperature Detection Face Recognition System

<b>Case materials</b>	Plastic shell, metal back plate
<b>CPU processor</b>	4 Core 1.2G
<b>RAM</b>	4G DDR3
<b>ROM</b>	32G eMMC
<b>Camera</b>	Pixel HD colorful camera
	Infrared camera
	Thermal imaging camera
<b>Fill light</b>	High light. LED fill light
	Dual infrared high power fill light
<b>Display screen</b>	5" capacity touch screen
<b>Screen resolution</b>	854*480
<b>Keypad</b>	Touch virtual keypad
<b>Communication method</b>	TCP/IP, WiFi, USB PEN DRIVE
<b>FRR</b>	$\leq 0.1\%$
<b>FAR</b>	$\leq 0.001\%$
<b>Product size</b>	154mm*152mm*22mm
<b>Power supply</b>	DC 12V, 2A
<b>Working temperature</b>	-15°N to 60°C
<b>OS</b>	LINUXS System
<b>Language</b>	English
<b>User ID capacity</b>	3000
<b>Face capacity</b>	3000
<b>User record capacity</b>	1 000 000
<b>Identification type</b>	Dynamic face recognition
<b>Identification display</b>	Person name & number
<b>Face recognition time</b>	Less than 0.2s
<b>Intelligent function</b>	Infrared live person identification detection
<b>Face Recognition distance</b>	0.5-1.0 m
<b>Temperature detection distance</b>	0.2-0.7 m
<b>Temperature detection error</b>	$\pm 0.3\text{ }^{\circ}\text{C}$
<b>Temperature detection unit</b>	0.1 °C

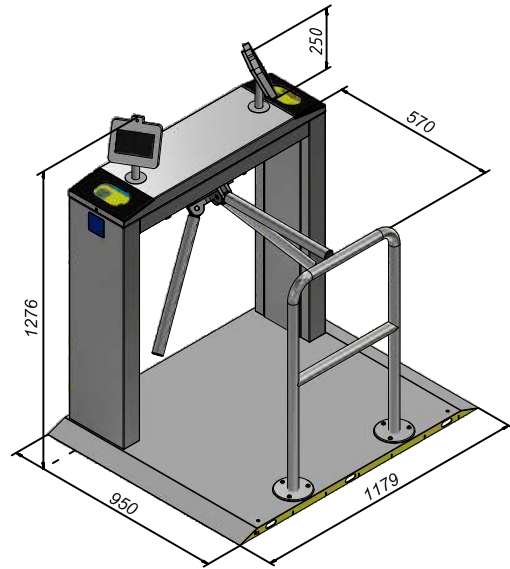
TF-R19T Temperature Detection Face Recognition System



We offer you the most popular models for integration with face recognition with infrared temperature detection system. But you can choose another speed gates for integration with the system depending on the requirements of your project. Please contact our managers at sales@tido.global and we will help you choose most the model.

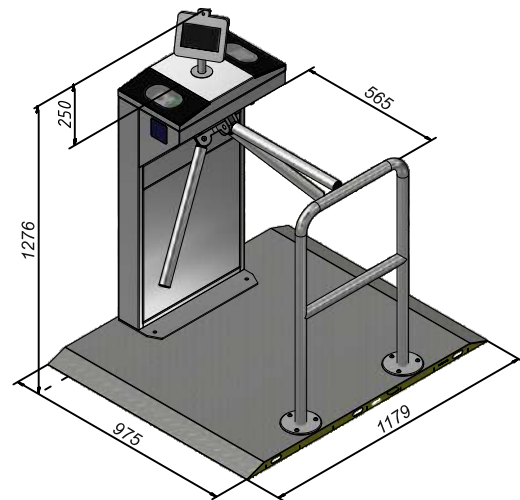
## Twix-M

Twix-M turnstile is a robust and reliable model of the tripod turnstile series. This model will efficiently control the entrance even in intensive pedestrian flow mode, making it suitable for heavily used sites like stadiums, industrial plants or factories. Design of this tripod barriers for access control is sleek and elegant, with a choice of housing finishing options it will fit perfectly in both modest interiors as well elegant office buildings.



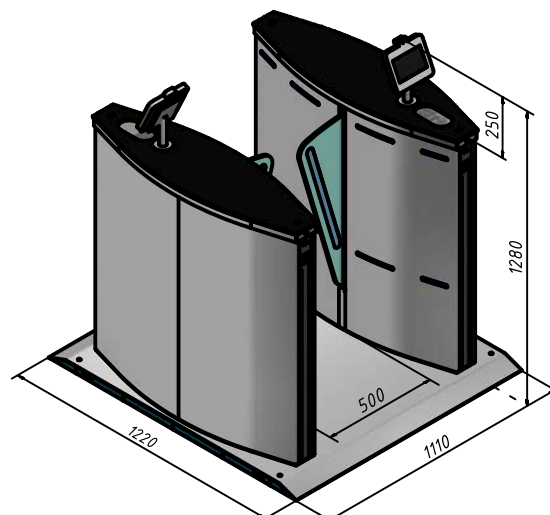
## Bastion-M

Bastion-M is one leg base tripod gate. Bastion-M tripod access system has a new mechanism Triservo-M. Bastion-M has a double LED indication too. Enlarged housing of this access turnstile allows getting extra strength and robust benefits which keep pedestrian traffics of high intensity.



## Speedblade (500+900)

Speedblade is motorised turnstiles featuring sliding blades. The housing material and lightweight cabinet shape make Speedblade security turnstiles suitable for a large variety of facilities, especially those with a requirement for aesthetically attractive equipment. In addition, Speedblade includes an anti-tailgating function. The sliding blades are made of glass, with polycarbonate an option. This motorized turnstile can be controlled by push button or via an access control system.





TiSO Global  
Kyiv, Ukraine  
14 Promyslova str., 02088  
tel.: +380 (44) 291 21 11  
e-mail: [sales@tiso.global](mailto:sales@tiso.global)  
[www.tiso.global](http://www.tiso.global)

TiSO ME  
Dubai, UAE  
Dubai South, B4, office 231,  
P.O. Box 712990  
tel.: +971 (56) 799 6808  
e-mail: [sales.me@tiso.global](mailto:sales.me@tiso.global)  
[www.tiso.global](http://www.tiso.global)

TiSO UK  
Innovation Centre, Highfields Drive,  
St Leonards on Sea. TN38 9UH. UK  
tel.: +44 (0)1424 858120  
e-mail: [sales@tiso.uk](mailto:sales@tiso.uk)  
[www.tiso.uk](http://www.tiso.uk)

TISO APAC  
78 Bedok North Road  
Unit 14-232 Singapore 460078  
tel.: +65 6256 0515  
e-mail: [enquiry@tisoapac.com](mailto:enquiry@tisoapac.com)  
[www.tisoapac.com](http://www.tisoapac.com)